

4

Power Supply Specification and Wiring Method

In this chapter, we tell the structure, specification and external wiring of XC series PLC. The wiring method differs according to different models. The mainly difference is the wiring terminals. For each model's terminal arrangement, please refer to chapter 2-3.

4-1 . Power Supply Specification

4-2 . AC Power, DC Input Type

4-1 . Power Supply Specifications

The power supply specifications of XC series PLC are listed below:

AC Power Supply

Items	Content
Rated Voltage	AC100V~240V
Allow Voltage Range	AC90V~265V
Rated Frequency	50/60Hz
Allow momentary power off time	Interruption Time 0.5 AC cycle, interval 1sec
Impulse Current	Below 40A 5mS/AC100V below 60A 5mS/AC200V
Maximum Power Consumption	12W
Power Supply for Sensor	24VDC \pm 10% maximum 400mA

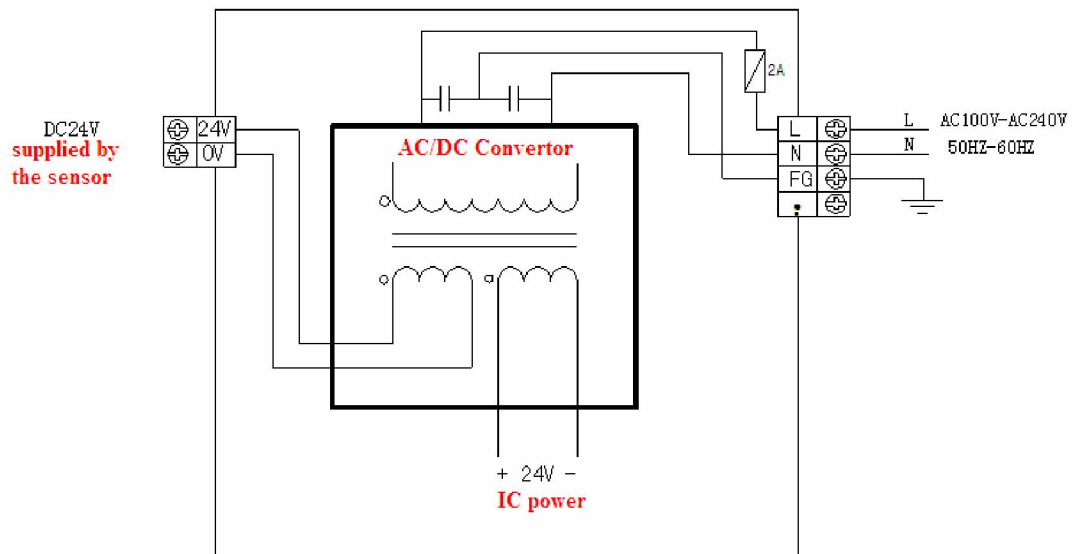
-
- 1 : Please use the wire cable thicker than 2mm², to avoid the decrease of voltage;
 - 2 : Even happens the 10ms power off, the PLC can keep working. But when power off for long time or voltage abnormal decrease, the PLC will stop working, output will be OFF. When power supply recover, the PLC will RUN automatically.
 - 3 : The grounding terminals on basic units and expansions connect together and use the third type grounding.
-

DC Power Supply Type

Items	Content
Rated Voltage	DC24V
Allow Voltage Range	DC21.6V~26.4V
Input Current (Only for basic unit)	120mA DC24V
Allow momentary power off time	10mS DC24V
Impulse Current	10A DC26.4V
Maximum Power Consumption	12W
Power Supply for Sensor	24VDC \pm 10% maximum 400mA

4-2 . AC Power DC Input Type

Connection



- 1 : Connect the power supply to L, N terminals
- 2 : 24V、 COM can supply 400mA/DC24V power supply. Do not give these two terminals power supply
- 3 : terminals are blank terminals, please do not wire them or use them as middle relays
- 4 : Please connect the COM terminals on basic units and expansions together